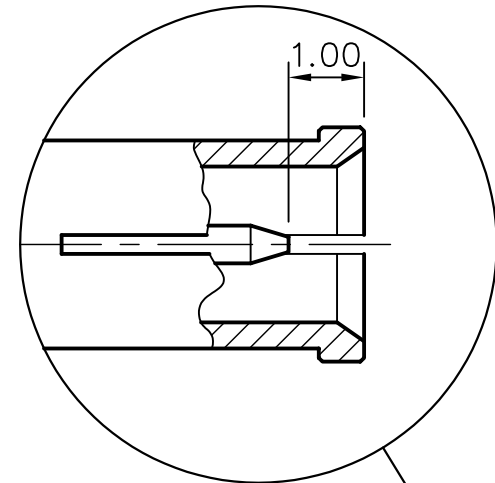
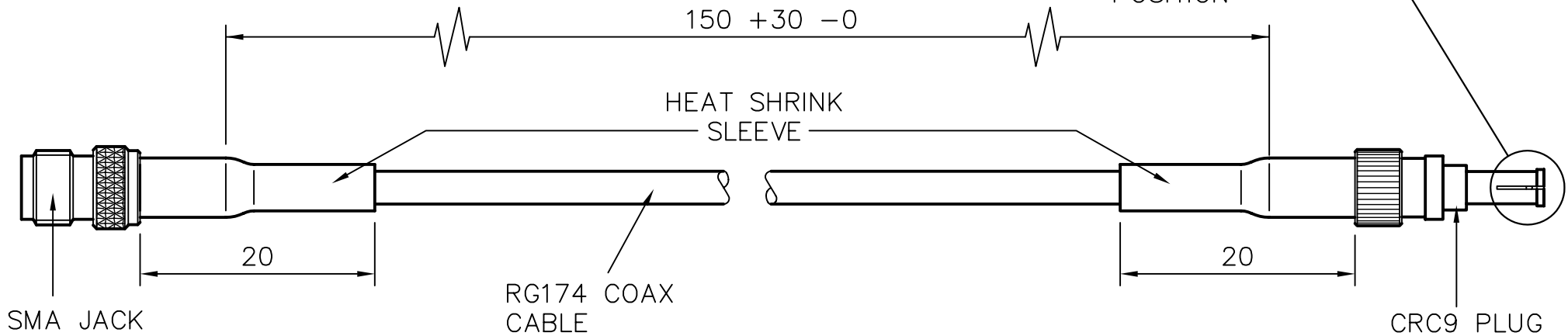


NOTES ON CABLE SPECIFICATION :-

1. DIMENSIONS AND CONSTRUCTION TYPICAL OF RG174/U MIL-C-17
2. INNER CONDUCTOR - 7 STRANDS OF COPPER
3. DIELECTRIC MATERIAL - CROSSLINK POLYTHENE
4. BRAID - TINNED COPPER
5. OUTER SHEATH - P.V.C.
6. ALL MATERIALS USED MUST BE RoHS COMPLIANT.



ENLARGED DETAIL OF CONTACT PIN POSITION



01019	1	11.03.09	K.D.	TOLERANCES UNLESS OTHERWISE STATED 0 DEC. PLACE ±0.5 2 DEC. PLACES ±0.1 1 DEC. PLACE ±0.2 ANGULAR ±1'
				MATERIAL
				FINISH
C/NOTE	ISSUE	DATE	APPROVAL	

TITLE <b>SMA(f) - CRC9 PLUG RG174 COAX CABLE 150mm LONG</b>			
DRAWN A.G.	DO.CHECK K.D.	SCALE 2:1	DIMENSIONS IN mm
<b>PANORAMA ANTENNAS</b>			